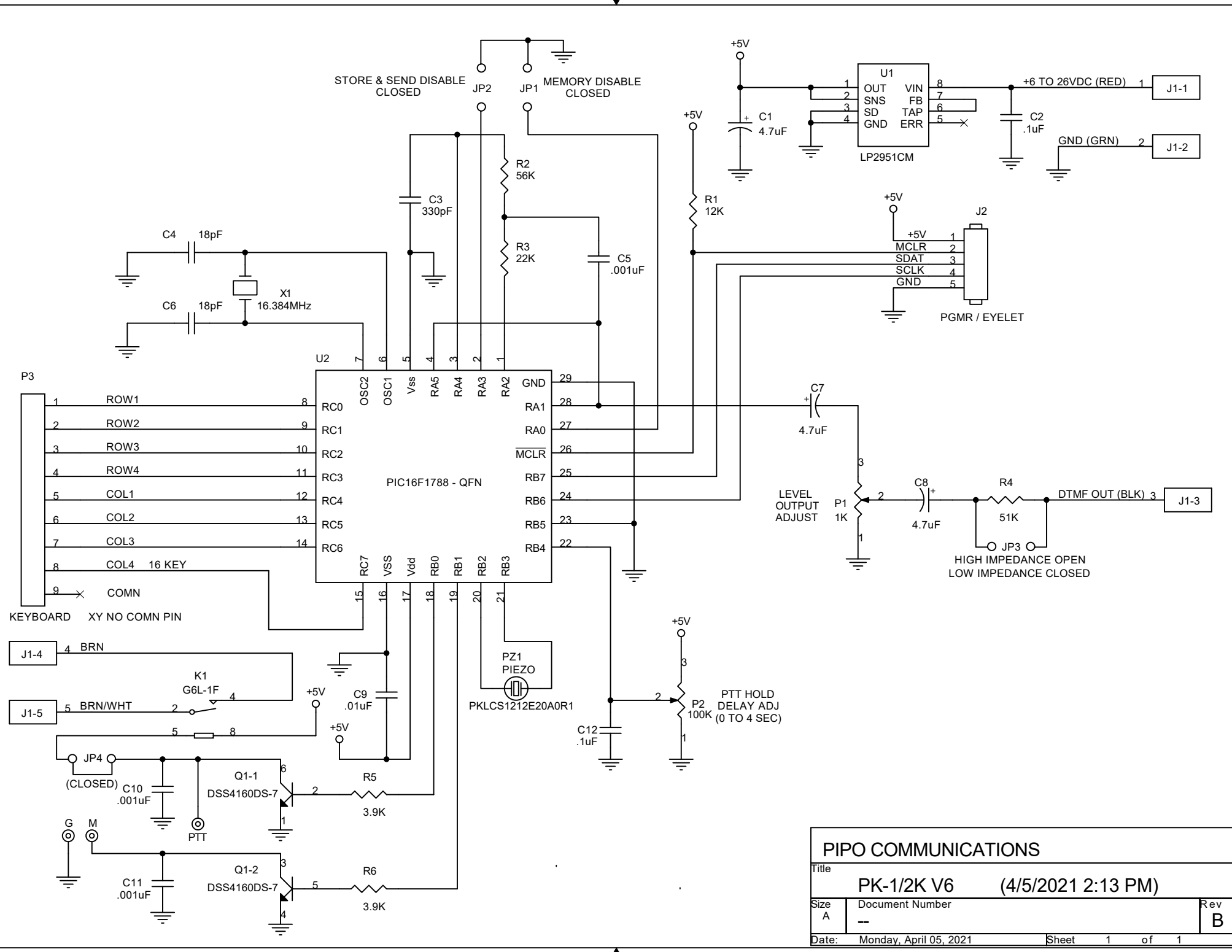


2

1



PIPO COMMUNICATIONS		
Title		
PK-1/2K V6		(4/5/2021 2:13 PM)
Size A	Document Number	Rev
	--	B
Date: Monday, April 05, 2021	Sheet 1 of 1	

2

1

4

3

2

1

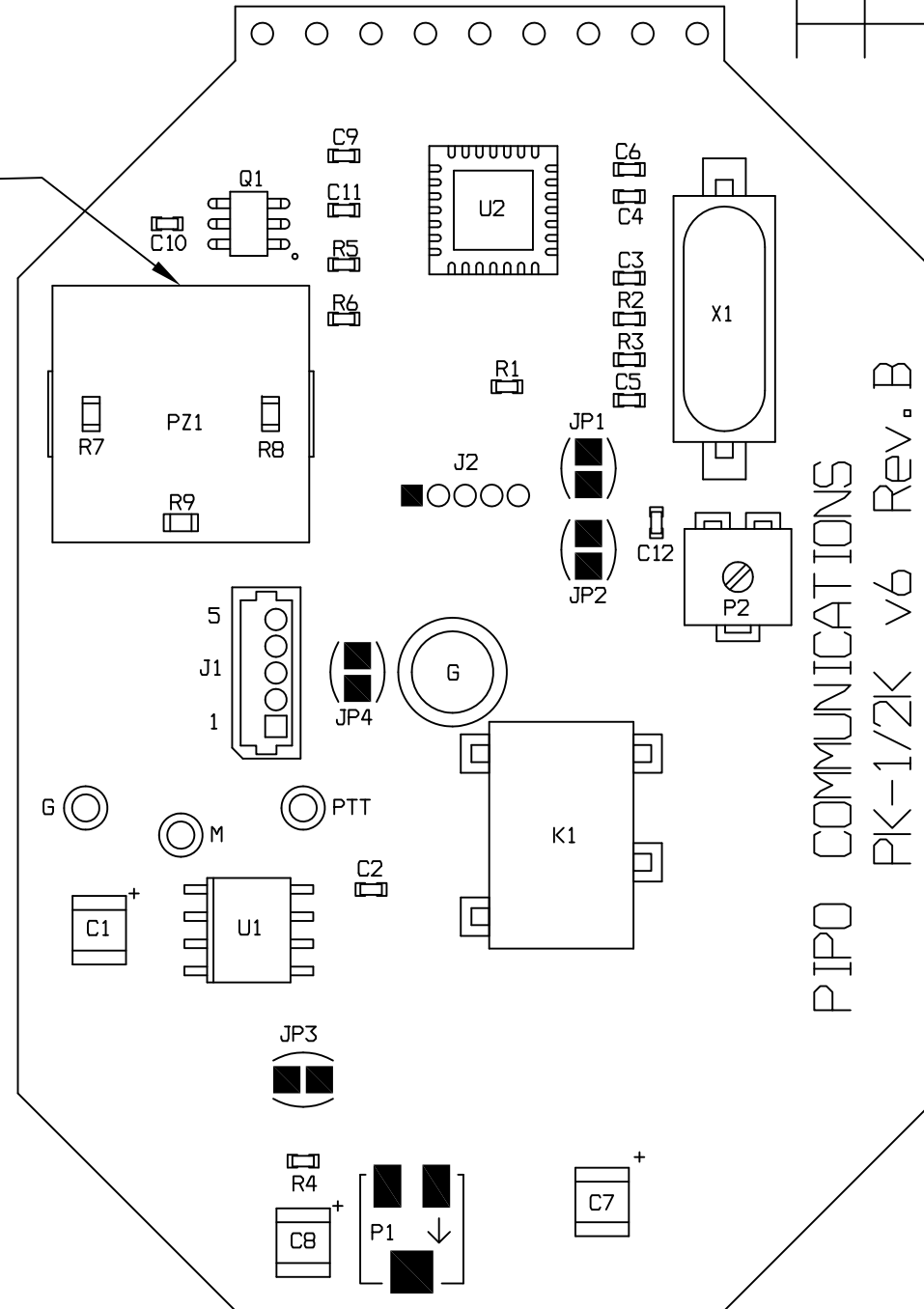
REVISIONS

DESCRIPTION

DATE

APPROVED

PZ1, SOUND EMITTING HOLE, BOTTOMSIDE



PIPO COMMUNICATIONS
PK-1/2K v6 Rev. B

- 5. J2, 9 HOLES AT TOP OF BOARD, "M", "G", AND "PTT" ARE HOLES ARE TO BE VOID OF SOLDER.
- 4. R7, R8 AND R9 ARE USED AS SPACERS TO INSTALL PZ1. PZ1 IS INSTALLED BY HAND. IT IS NOT SEALED.
- 3. DO NOT INSTALL THE FOLLOWING COMPONENTS:
J2, JP1-JP4,
- 2. INSTALL COMPONENTS, MAKE ALL INTERFACIAL CONNECTIONS, ASSEMBLE AND SOLDER IAW J-STD-001, CLASS 2.
- 1. SEE SEPARATE PARTS LIST FOR COMPONENT VALUE AND/OR USAGE.

NOTES: UNLESS OTHERWISE SPECIFIED.

UNLESS OTHERWISE SPECIFIED ALL DIMENSIONS ARE IN INCHES TOLERANCES ARE:

DECIMALS	ANGLES
.X = ± .1	± 0°30'
.XX = ± .03	
.XXX = ± .005	

DO NOT SCALE DRAWING

TREATMENT

FINISH

CONTRACT NO.

APPROVALS

DWN. R. GONZALES

CHK.

ENG.

APP.

DATE

9/26/2018

THIS DRAWING PRODUCED BY:

P.C.D.C.

FILE: PK-1-2K v6_B ASSY

PIPO COMMUNICATIONS
HOLLYWOOD, CALIFORNIA

TITLE

PCB ASSEMBLY:

PK-1/2K v6

SIZE

CAGE CODE

DWG NO.

REV

B

SCALE 3 : 1

9/26/2018 9:18 PM

SHEET 1 OF 1

4

3

2

1

D

C

B

A

D

C

B

A